

Radio module for Elster water meter



Application

Radio module **Supercom 580** to retrofit for the Elster multi-jet meter MO-A and MOZ-A as well as for the Elster-Picoflux-water meter EV-A.

The retrofit radio module for water meters can be retrofitted at any time without impairing the calibration. The bidirectional SONTEX radio system allows the readout of the consumption data via a mobile radio modem Supercom 636 or via the radio concentrator Supercom 646.

For the Elster multi-jet meters MO-A and MOZ-A, various housings for all types of pipe connections for flush or surface mounting and for valve connection are available. The great variety of adapters for installations from different manufacturers allows a cost-effective change-over to this technology at all metering points.

Function

The battery-operated radio module **Supercom 580** scans the volume pulses of the water meter, accumulates them and stores the consumption data.

The radio module is equipped with a manipulation protection. If the housing of the radio module is removed and / or opened, the electronic manipulation protection triggers an error message.

Stored Data

- Identification number (serial number of water meter)
- Medium: cold or warm water
- Serial number (radio module)
- Current time and date
- Accumulated volume
- 15 monthly values
- Operating hours of battery
- Manipulation protection; date of the last manipulation and the accumulated duration of all manipulations in minutes
- Magnetic contact detection in minutes and with date of the last magnetic contact detection
- Pulse value
- Number of counter resets

Programming data

With the software Tools Supercom following parameters can be programmed:

- Water meter ID and medium: cold or warm water
- Current date and time
- Initialisation of the totalizer and of the 15 monthly values
- Reset to delivery (sleeping) mode or set to operating mode

Technical Data

General

Pulse value	0.5 l/Imp
Operating temperature	5 to 55°C
Storage temperature	-20 to 70°C

Housing

Protection class	IP65
------------------	------

Conformity



acc. to RED 2014/53/EU

Radio

Method	FSK, bidirectional
Frequency	433.82 MHz
Protocol	Radian, EN60870-5 (M-Bus)
Baud rate	2'400 Baud
Range	approx. 30 m, depending on building structure

Data Memory

EEPROM (captive)	daily recording
------------------	-----------------

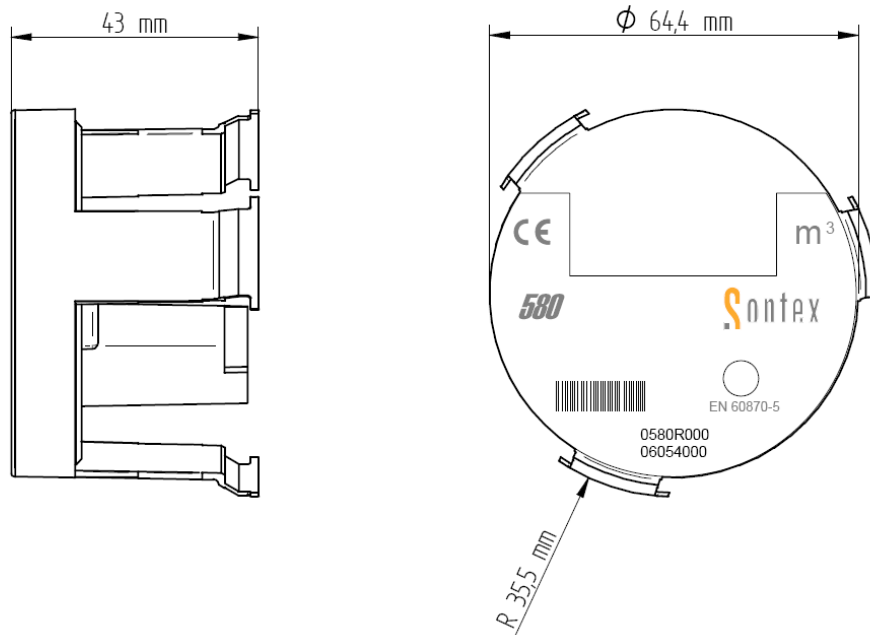
Electronic Data

Main supply	Lithium Metal Battery (≤ 1g) 3VDC
Service life	Maximum 10 years

Optical Interface

Protocol	EN60870-5 (M-Bus)
Baud rate	2'400 Baud

Dimensional Drawing



Technical Support

For technical support, please contact your local Sontex agent or Sontex SA directly.

Hotline Sontex: sontex@sontex.ch, +41 32 488 30 04

The detailed declaration of conformity can be found on our homepage: www.sontex.ch

Technical modifications subject to change without notice

Data Sheet Supercom 580 EN 22-06-2017

© Sontex SA 2007